

# UNTHA

shredding technology

The reliable brand!

**XR**  
SERIES



**XR2000, XR2000S, XR3000**

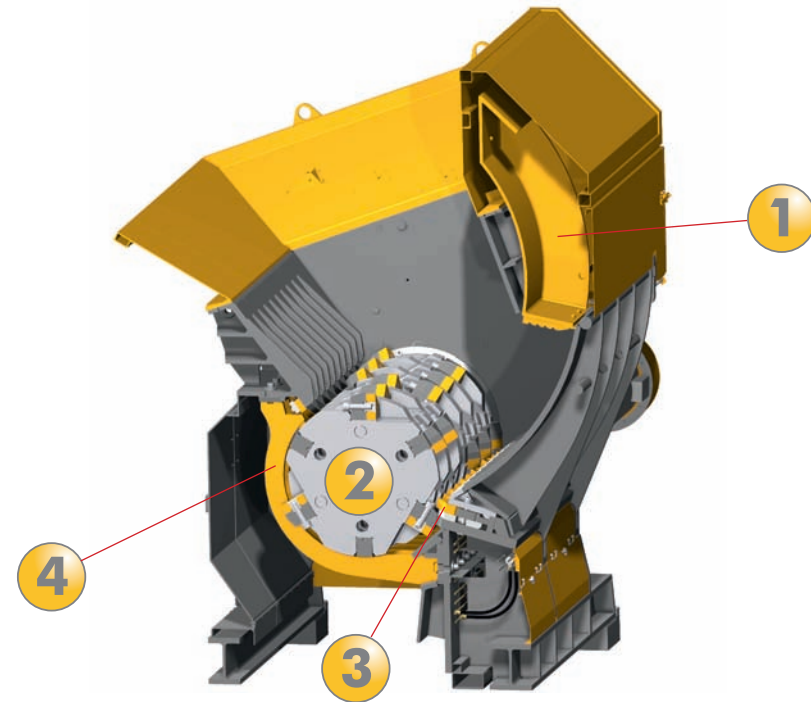
## XR SERIES

The highly rugged and hard-wearing XR series has been specifically developed for the shredding of untreated waste and is mainly used for producing coarse and medium fraction.

The innovative XR series with patented cutting system stands out with features such as: pre-defined particle size, high resistance to foreign matter, process reliability and low operating costs. These quality features make the models of the XR series some of the most cost-effective shredders in their league.

## FUNCTION AND DESIGN

During shredding, the output-controlled hydraulic ram device (1) pushes the input material against the rotor equipped with indexable inserts. Once the material has been seized by the rotor (2), it is shredded against the stator blade (3). The grid rods (4) are adjustable so that the final size of the shredded material can be determined according to requirement.



## A SELECTION OF IMPLEMENTED APPLICATIONS:

- Industrial and commercial waste
- Household waste
- Bulky waste
- Waste bales
- Demolition wood
- Mixed waste from building sites
- Hazardous waste
- Carpets and rugs
- etc.

## QUALITY FEATURES

### Particle size can be defined in advance

- by simply changing the cutting gap (A) and adjusting the number of screen bars (B)
- making continuous material discharge possible
- also possible with difficult materials (such as textiles, carpets and rugs).

### High resistance to foreign matter; process reliability

- The slow rotor speed (< 30 rpm) and efficient coupling system (C) prevents the indexable inserts from breaking
- Sturdy design (D)
- Solid grid bar design
- The integrated hydraulic system (E) for removing foreign matter discharges unshreddables quickly and efficiently.
- The hydraulic ram (F) prevents bridge building and ensures reliable treatment of bulky waste.

### Simple operation

- SRC<sup>1)</sup> panel with integrated 5.6" touch screen and high resolution colour display (simple menu navigation)

### Low operating costs

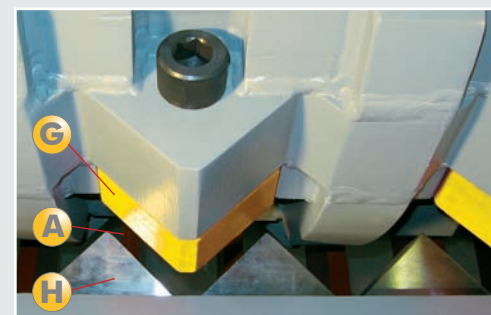
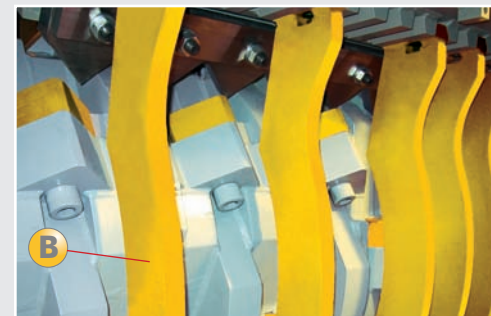
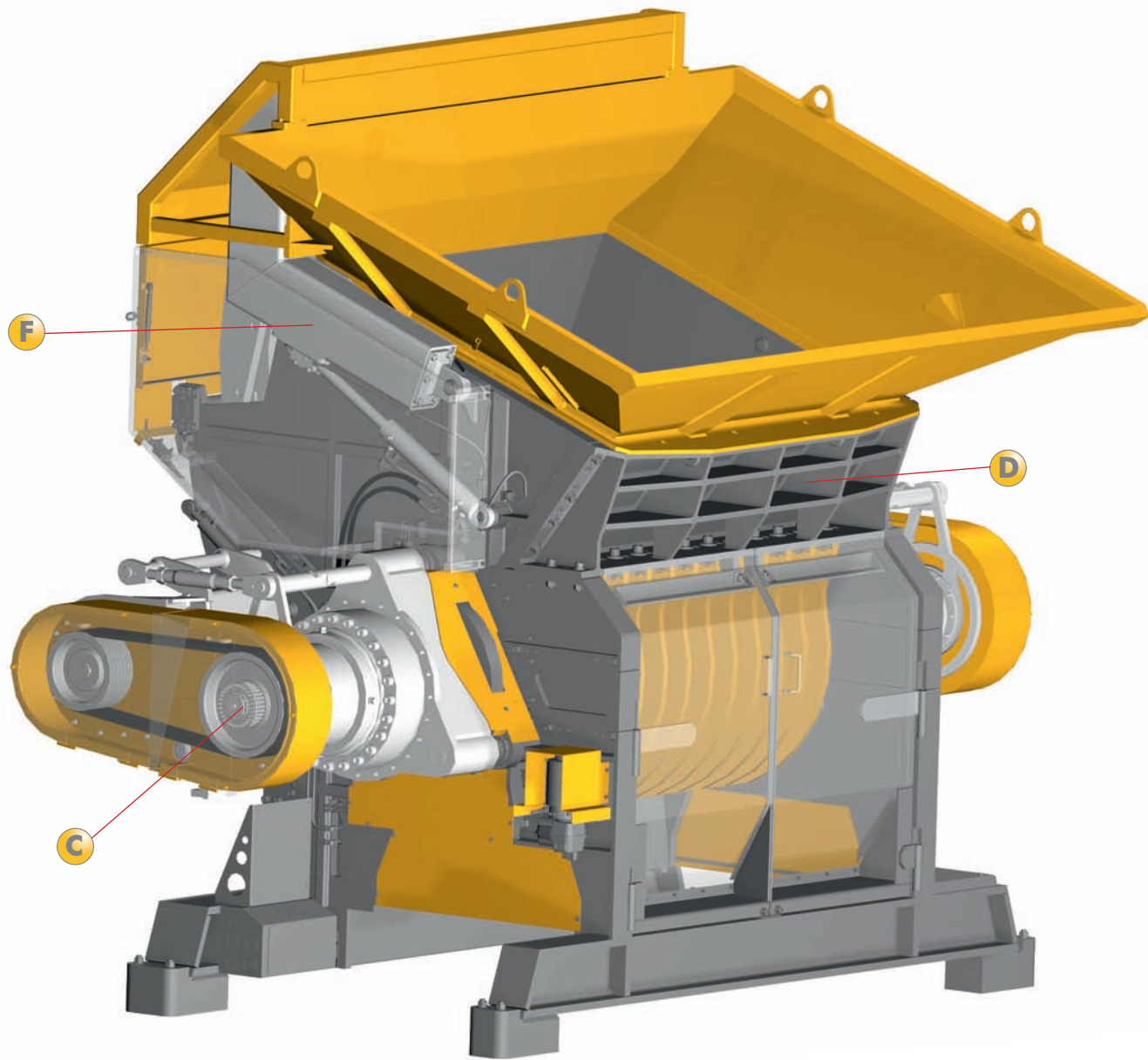
- Long service life thanks to 4-fold rotatability of the indexable inserts (G) and stator blades (H)
- Low maintenance costs thanks to short downtime for replacing the cutting tools, long maintenance intervals and automatic central lubrication system
- Low energy costs thanks to electro-mechanical drive and high efficiency of the cutting system (cutting rather than tearing)

### Options

- Frequency inverter for infinite adjustment of speed to the input material to be shredded and for reduction of start-up peaks
- Integrated discharge belt for swift and safe discharge of material; thanks to the belt, the machine can be set up directly on the floor; no additional steel structures or frames required.
- SRC(E)<sup>2)</sup> panel with 15" touch screen for even more ease of operation
- **UNTHA carefree package**

1) Safety remote control

2) Safety remote control (expert)



## A SELECTION OF IMPLEMENTED PRE-SHREDDING PROJECTS



Application: Household and commercial waste  
Solution: XR2000S  
Location: Germany



Application: Commercial waste  
Solution: XR3000  
Location: Italy



Application: Household waste  
Solution: XR2000S  
Location: Germany



Application: Packaging, rejects, matured timber, screen overflow  
Solution: XR3000  
Location: Austria



Application: Paper rejects  
Solution: XR2000S  
Location: USA

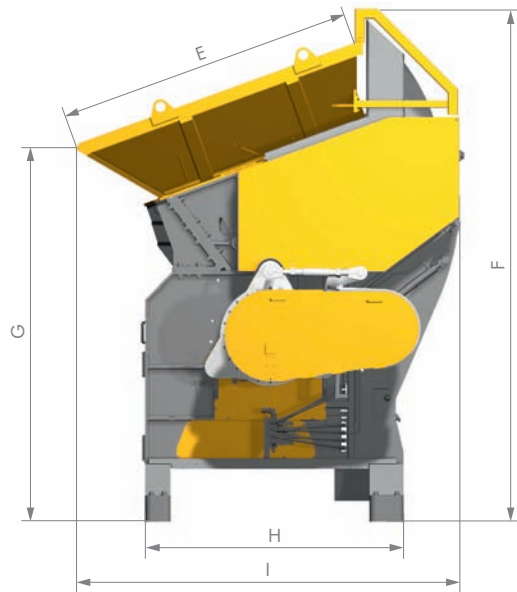
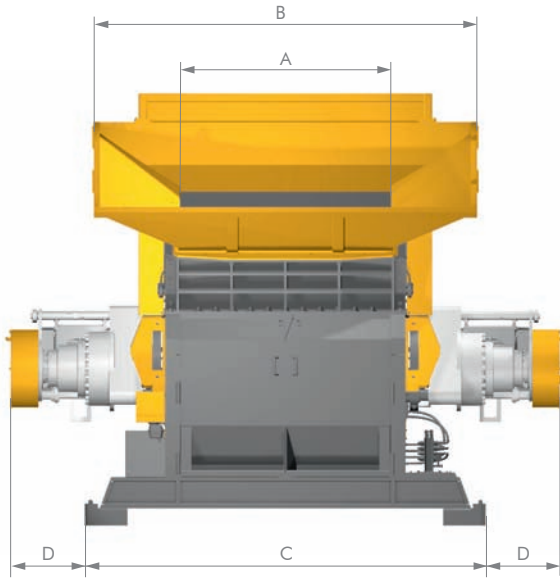


Application: Bulky waste  
Solution: XR2000S  
Location: Germany



# XR SERIES

## Single-shaft shredding system



TECHNICAL DATA		XR2000	XR2000S	XR3000
Driving power	kW	150	220	264
Hydraulic power	kW	7.5	7.5	7.5
Ø Rotor	mm	850	1,100	1,100
Rotor speed	rpm	40	30	34
No. of indexable inserts	unit	24	36	36 / 48
Dim. of indexable inserts	mm	130 x 130	130 x 130	130 x 130
Weight	t	ca. 22	ca. 27	ca. 27
Throughput*	kg/h	up to 25,000	up to 40,000	up to 50,000

\*) depending on: quality of material

	XR2000	XR2000S	XR3000
A	1988	1988	2972
B	3650	3650	4630
C	3780	3780	4764
D	450	595	810
E	2337	2337	2337
F	3920	4070	4070
G	2850	3000	3000
H	2370	2495	2495
I	3043	3043	3043

All dimensions in mm.



shredding technology

The reliable brand!



UNTHA shredding technology

Moldanstraße 141  
A-5431 Kuchl / Salzburg, Austria  
Tel +43 6244 7016 0, Fax +43 6244 7016 1  
info@untha.com

[www.untha.com](http://www.untha.com)

Authorised partner of UNTHA