

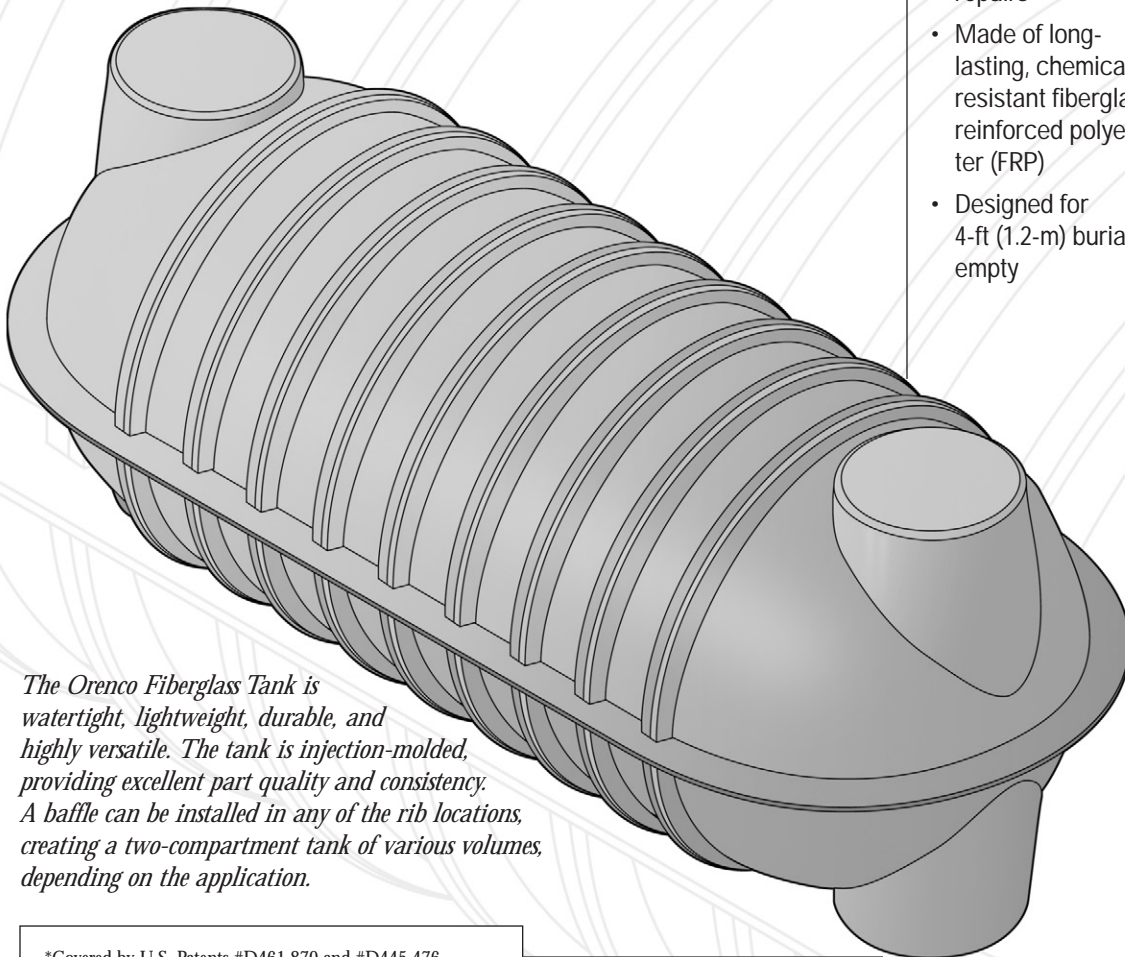
Orenco Fiberglass Tank

1000 gallon (3785 liter); 1500 gallon (5678 liter)

Applications

The watertight Orenco injection-molded Fiberglass Tank* comes in two sizes and has been optimized for use in onsite wastewater collection and treatment systems (residential and commercial) and in community-wide effluent sewer systems. As the tank collects and digests organic matter, it provides primary wastewater treatment, reducing wastewater contaminants by 65–70%.

Note: These tanks have not been tested for use with potable water.



The Orenco Fiberglass Tank is watertight, lightweight, durable, and highly versatile. The tank is injection-molded, providing excellent part quality and consistency. A baffle can be installed in any of the rib locations, creating a two-compartment tank of various volumes, depending on the application.

*Covered by U.S. Patents #D461,870 and #D445,476

Note: Listed by IAPMO/UPC. These tanks have not been designed for use in a location that receives vehicle traffic. Placement in a traffic area requires an engineered traffic-bearing pad.

Features & Benefits

- 100% watertight, for optimal wastewater treatment; every tank is water tested before shipping
- Injection molded for unmatched part quality and consistency; eliminates costly call-backs for repairs
- Made of long-lasting, chemical-resistant fiberglass reinforced polyester (FRP)
- Designed for 4-ft (1.2-m) burial, empty
- Light enough to transport in a pickup or small trailer and install with a backhoe (lifting brackets attached); no waiting for delivery truck
- No-hassle installation, even on the smallest lots
- Accommodates a baffle wall in any of the rib locations, creating a two-compartment tank of various volumes
- Directly accepts standard Orenco 24-in. (600-mm) diameter PVC risers; adapter available for 30-in. (760-mm) diameter
- Installation and orientation of inlet and outlet easily accomplished with watertight EPDM grommets

(Dimensions and ordering information on back.)



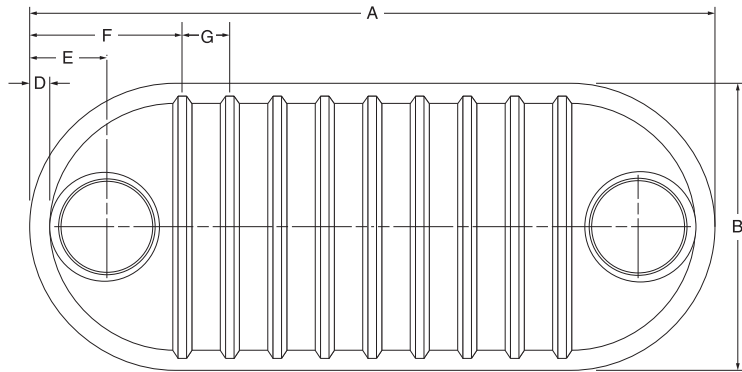
Orenco Systems®
Incorporated

*Changing the Way the
World Does Wastewater®*

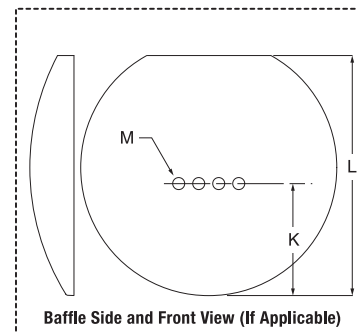
www.orenco.com

APS-TNK-1
Rev. 2.2, © 5/05
Orenco Systems®, Inc.

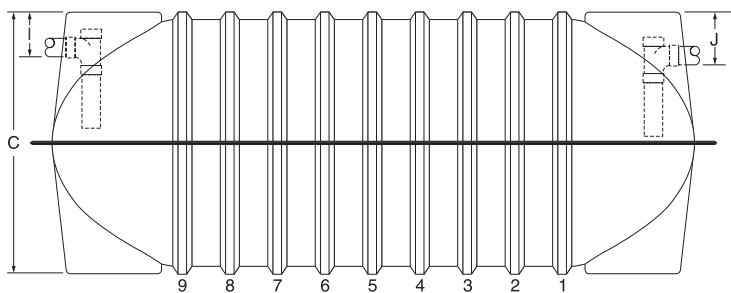
Orenco Fiberglass Tank Nominal Dimensions*



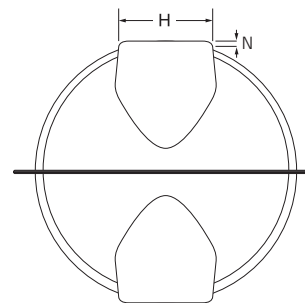
Top View



Baffle Side and Front View (If Applicable)



Side View



End View

Specifications

	1000 gal. (3785 L)	1500 gal. (5678 L)
Dimensions in inches (and millimeters)		
A Length	121.0 (3073)	168.0 (4270)
B Width	72.0 (1830)	72.0 (1830)
C Height	64.5 (1640)	64.5 (1640)
D Flange width	5.5 (140)	5.5 (140)
E End to center of tank access	21.5 (550)	21.5 (550)
F End to first rib	37.0 (940)	37.0 (940)
G Rib spacing	11.6 (295)	11.6 (295)
H Outside diameter of tank access	23.5 (600)	23.5 (600)
I Inlet invert (typical)	11.0 (280)	11.0 (280)
J Outlet invert (typical – if used)	13.0 (330)	13.0 (330)
K Height to pass-through holes (typ.)**	30.0 (760)	30.0 (760)
L Height to top of baffle	60.0 (1520)	60.0 (1520)
M Pass-through hole diameter	3.0 (76)	3.0 (76)
N Riser adapter depth	1.5 (38)	1.5 (38)

Weight in pounds (and kilograms)

1-compartment (assembled)	320 (145)	470 (213)
2-compartment (assembled)	350 (159)	500 (227)

Volume in gallons (and liters)

Volume to typical invert of inlet	1086 (4111)	1615 (6112)
Volume to typical invert of outlet	1050 (3974)	1561 (5908)
Total tank volume (approximate)	1210 (4580)	1800 (6813)

* Detailed drawings and additional technical documentation are available, including volume charts and installation instructions.

** Other baffle configurations are available.

Model Code

T [] - [] - [] / [] - [] / [] - [] / []

Riser connections (inlet/outlet):
Blank = accepts 24" riser (no adapter)
8 = 8" diameter adapter in
30 = 30" diameter adapter in

Depth to inverts (inlet/outlet):
11 = 11" (standard)
13 = 13" (standard)
Blank = no openings

Diameter of access riser openings (inlet side/outlet side):
20"/20" (with flange on outlet for PVU vault)
20"/23" (no flange on outlet)
Blank = no openings

Number of compartments and baffle location (ribs 1 through 9):
22 = two compartments, rib #2
23 = two compartments, rib #3, etc.

Tank size (gallons):
1000
1500

Tank

To Order

Call Orenco Systems®, Inc., 800-348-9843, for your nearest Distributor.